

# D SUBMINIATURE CONNECTOR J SERIES

Solder pot plug and receptacle

## SOLDER POT PLUG AND RECEPTACLE



Solder pot plug



Solder pot Receptacle

### Features

- The receptacle contacts are formed by high-speed stamping presses to obtain the advantages of cold working. They are therefore highly elastic, which in turn ensures reliable connection even after many mating cycles.
- The dimples in the plug shell ensure continuity between it and the receptacle shell, thus providing complete shielding.
- Costs are kept low by selective gold plating the contacts.
- The solder cup portions of the contacts are tin-plated for easy soldering.
- Insulator housings are made of a heat-resistant glass-filled PBT resin.

### Standards

UL Recognized E60389 CE Certified LR20812

- \* Contact JST if Lead-Free product is required.
- \* Refer to "General Instruction and Notice when using Terminals and Connectors" at the end of this catalog.
- \* Contact JST for details.

### Specifications

#### Materials

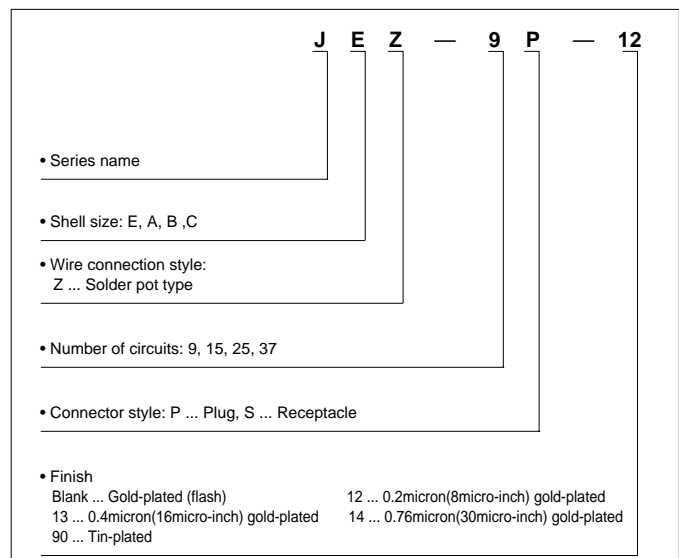
Connector	Part name	Material and Finish
Plug	Contact	Brass, nickel-undercoated, selective gold-plated or copper-undercoated, tin-plated
	Insulator	Glass-filled PBT, UL94V-0, black
	Shell	Steel, copper-undercoated, tin/lead-plated
Receptacle	Contact	Phosphor bronze, nickel-undercoated, selective gold-plated or copper-undercoated, tin-plated
	Insulator	Glass-filled PBT, UL94V-0, black
	Shell	Steel, copper-undercoated, tin/lead-plated

#### Characteristics

Current rating	3A, AC, DC (2A for 37-circuits)
Voltage rating	250V AC, DC
Temperature range	-40°C to +85°C (including temperature rise in applying electrical current)
Contact resistance	Initial value/15mΩ max. After environmental testing/30mΩ max.
Insulation resistance	5,000MΩ min.
Withstanding voltage	1,000V AC/minute

Note: Contact JST for details.

#### Model number identification



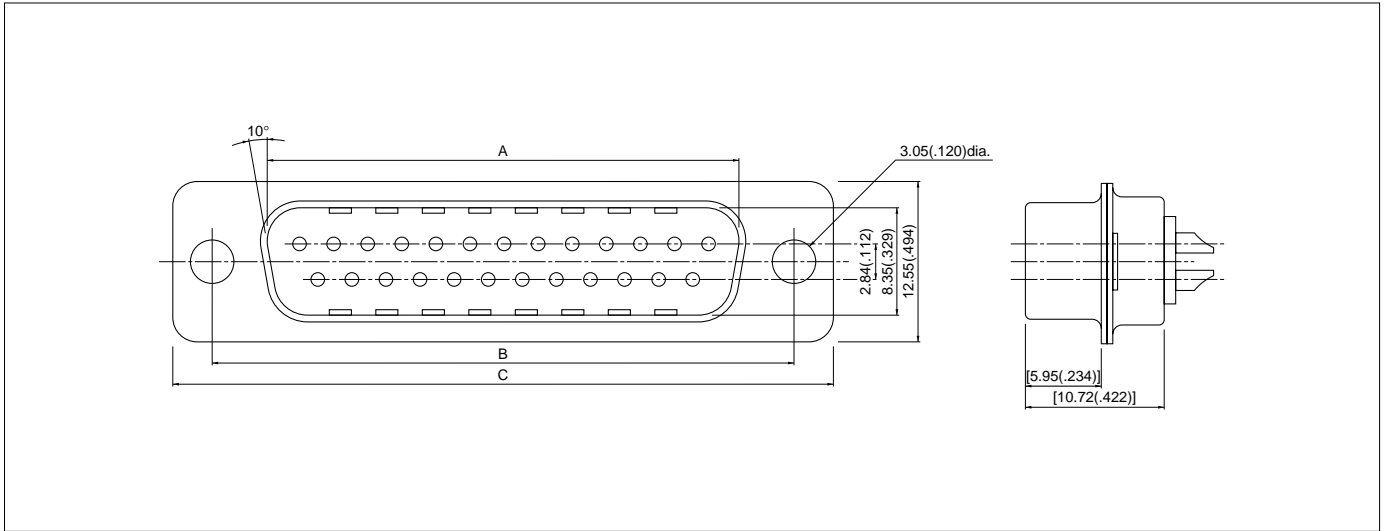
Note: 1. The relationship between number of circuits and shell size is shown below.

9: E, 15: A, 25: B, 37: C

2. Contact JST for special plating requirements.

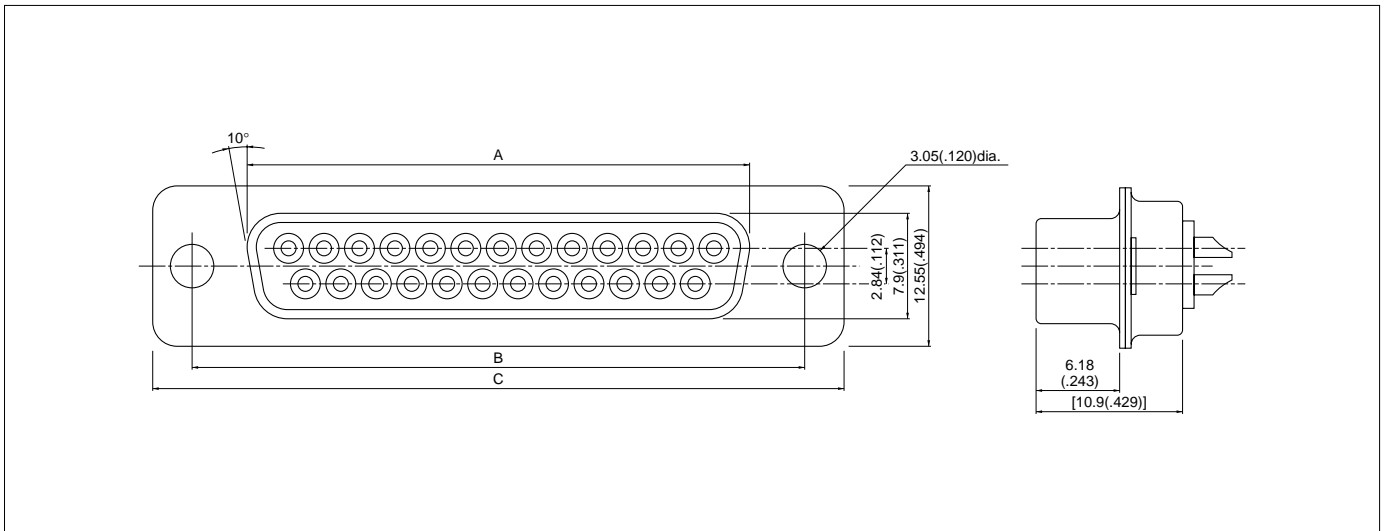
# D SUBMINIATURE CONNECTOR J SERIES

## Plug

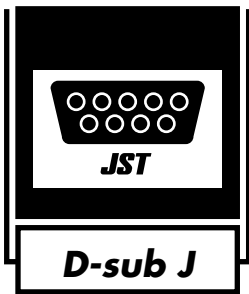


Circuits	Model No.		Dimensions mm(in.)			Q'ty / box
	Gold-plated	Tin-plated	A	B	C	
9	<b>JEZ- 9P</b>	<b>JEZ- 9P-90</b>	16.92( .666)	24.99( .984)	30.80(1.213)	100
15	<b>JAZ-15P</b>	<b>JAZ-15P-90</b>	25.25( .994)	33.32(1.321)	39.14(1.541)	100
25	<b>JBZ-25P</b>	<b>JBZ-25P-90</b>	38.97(1.534)	47.04(1.852)	53.04(2.088)	50
37	<b>JCZ-37P</b>	<b>JCZ-37P-90</b>	55.43(2.182)	63.50(2.500)	69.32(2.729)	50

## Receptacle



Circuits	Model No.		Dimensions mm(in.)			Q'ty / box
	Gold-plated	Tin-plated	A	B	C	
9	<b>JEZ- 9S</b>	<b>JEZ- 9S-90</b>	16.34( .643)	24.99( .984)	30.80(1.213)	100
15	<b>JAZ-15S</b>	<b>JAZ-15S-90</b>	24.67( .971)	33.33(1.312)	39.14(1.541)	100
25	<b>JBZ-25S</b>	<b>JBZ-25S-90</b>	38.38(1.511)	47.04(1.852)	53.04(2.088)	50
37	<b>JCZ-37S</b>	<b>JCZ-37S-90</b>	54.84(2.159)	63.50(2.500)	69.32(2.729)	50



# D SUBMINIATURE CONNECTOR J SERIES

Right angle through-hole plug and receptacle

## RIGHT ANGLE THROUGH-HOLE PLUG AND RECEPTACLE



Right angle through-hole plug  
(with hexagonal lock screw blocks)



Right angle through-hole receptacle  
(with rectangular lock screw blocks)



Right angle through-hole receptacle  
(with spring lock devices)

## Features

- The receptacle contacts are made by high-speed stamping presses. This promotes the uniform elasticity of the twin-contact mating sections and therefore ensures reliable contact even after repeated mating cycles. The solder tails are U-shaped for extra strength.
- Costs are minimized by selective gold plating, high speed stamping presses, and completely automated assembly.
- To ensure complete shielding, a wide variety of grounding adapters are available so that the receptacles can be grounded to different kinds of supporting structures.
- Metric, inch or other lock screw blocks are available for fastening mating plugs.

# D SUBMINIATURE CONNECTOR J SERIES

## Specifications

### Materials

Part name	Material and Finish
Contact of plug	Brass, nickel-undercoated, selective gold-plated or copper-undercoated, tin-plated
Contact of receptacle	Phosphor bronze, nickel-undercoated, selective gold-plated or copper-undercoated, tin-plated
Insulator	Glass-filled PBT, UL94V-0, black
Shell	Steel, copper-undercoated, nickel-plated
Hexagonal lock screw block	Steel, copper-undercoated, nickel-plated
Rectangular lock screw block	Zinc, copper-undercoated, nickel-plated
Grounding adapter having a 3.2mm(.126") dia. hole	Steel, copper-undercoated, nickel-plated
Grounding adapter having an M3 tapped hole	
Grounding adapter having a spring lock lever	Brass, copper-undercoated, tin/lead-plated

### Characteristics

Current rating	3A, AC, DC (2.0A AC, DC for 37-circuits)
Voltage rating	250V AC, DC
Temperature range	-40°C to +85°C (including temperature rise in applying electrical current)
Contact resistance	Initial value/15mΩ max. After environmental testing/30mΩ max.
Insulation resistance	5,000MΩ min.
Withstanding voltage	1,000V AC/minute
Applicable PC board thickness	1.6mm(.063")

Note: Contact JST for details.

### Standards

Recognized E60389 Certified LR20812

\* Contact JST if Lead-Free product is required.

\* Refer to "General Instruction and Notice when using Terminals and Connectors" at the end of this catalog.

\* Contact JST for details.

### Model number identification

	J	E	Y	9	S	1A	3	A	12	S1
• Series name										
• Shell size: E, A, B, C										
• Wire connection style: Y... Right angle through-hole style										
• Number of circuits: 9, 15, 25, 37										
• Connector style: P ... Plug, S ... Receptacle										
• Connector construction/Dimensions: Standard J series										
• Types of grounding adapters 0 ... Without grounding adapters 1 ... With grounding adapters having a 3.2mm(.126") dia. hole 2 ... With grounding adapters having an M3 thread 3 ... With grounding adapters having a spring lock device (1) 4 ... With grounding adapters having a spring lock device (2)										
• Types of lock screw blocks A ... With hexagonal lock screw blocks having a No. 4-40 UNC inch thread B ... With hexagonal lock screw blocks having an M2.6 thread C ... With rectangular lock screw blocks having an M2.6 thread D ... Without lock screw blocks E ... Without lock screw blocks, but with grounding adapters having a 3.05mm(.120") dia. hole F ... Without lock screw blocks, but with grounding adapters having a No. 4-40UNC inch thread G ... Without lock screw blocks, but with grounding adapters having an M2.6 thread H ... Without lock screw blocks, but with grounding adapters having an M3 thread										
• Finish Blank ... Gold-plated (flash)                      12 ... 0.2micron(8micro-inch) gold-plated 13 ... 0.4micron(16micro-inch) gold-plated      14 ... 0.76micron(30micro-inch) gold-plated 90 ... Tin-plated										
• Spring lock devices Blank...Without spring lock devices S or S1...With spring lock devices S2...With spring lock devices (with addition of spring characteristic)										







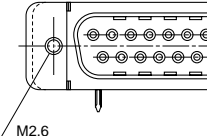
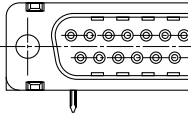
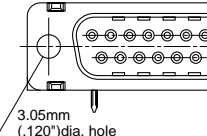
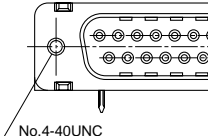
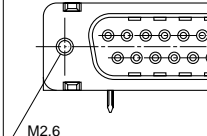
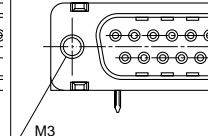
#### Note:

- The relationship between number of circuits and shell size is shown below.  
9: E, 15: A, 25: B, 37: C
- Contact JST for special plating requirements.
- Contact JST for the Receptacle with spring lock devices. (Not UL recognized nor CSA certified.)

# D SUBMINIATURE CONNECTOR J SERIES

Right angle through-hole plug		Type A	Type B																																											
<p>H: Height of the lock screw block (for Types A, B &amp; C)</p> <table border="1"> <thead> <tr> <th rowspan="2">Cir- cuits</th> <th colspan="2">Model No.</th> <th colspan="5">Dimensions mm(in.)</th> <th rowspan="2">Q'ty / box</th> </tr> <tr> <th>gold-plated plug</th> <th>tin-plated plug</th> <th>A</th> <th>B</th> <th>C</th> <th>D</th> <th>E</th> </tr> </thead> <tbody> <tr> <td>9</td> <td><b>JEY- 9P-1A**</b></td> <td><b>JEY- 9P-1A**90</b></td> <td>16.90( .665)</td> <td>24.99( .984)</td> <td>30.80(1.213)</td> <td>8.1(.319)</td> <td>9.52(.375)</td> <td>100</td> </tr> <tr> <td>15</td> <td><b>JAY-15P-1A**</b></td> <td><b>JAY-15P-1A**90</b></td> <td>25.25( .994)</td> <td>33.33(1.312)</td> <td>39.14(1.541)</td> <td>8.1(.319)</td> <td>9.52(.375)</td> <td>60</td> </tr> <tr> <td>25</td> <td><b>JBY-25P-1A**</b></td> <td><b>JBY-25P-1A**90</b></td> <td>38.97(1.534)</td> <td>47.04(1.852)</td> <td>53.00(2.087)</td> <td>8.2(.323)</td> <td>9.62(.379)</td> <td>40</td> </tr> </tbody> </table> <p>Note: ** shows the location where a two-digit code (see the table below for codes) should be entered. For example, if a 9-circuit gold-plated plug with hexagonal lock screw blocks having a No.4-40UNC inch thread and without grounding adapters is required, specify the model number as JEY-9P-1A0A.</p>		Cir- cuits	Model No.		Dimensions mm(in.)					Q'ty / box	gold-plated plug	tin-plated plug	A	B	C	D	E	9	<b>JEY- 9P-1A**</b>	<b>JEY- 9P-1A**90</b>	16.90( .665)	24.99( .984)	30.80(1.213)	8.1(.319)	9.52(.375)	100	15	<b>JAY-15P-1A**</b>	<b>JAY-15P-1A**90</b>	25.25( .994)	33.33(1.312)	39.14(1.541)	8.1(.319)	9.52(.375)	60	25	<b>JBY-25P-1A**</b>	<b>JBY-25P-1A**90</b>	38.97(1.534)	47.04(1.852)	53.00(2.087)	8.2(.323)	9.62(.379)	40	<p>With hexagonal lock screw blocks (H: 6.3mm (.248")) having a No.4-40UNC inch thread</p>	<p>With hexagonal lock screw blocks (H: 6.3mm (.248")) having an M2.6 thread</p>
Cir- cuits	Model No.		Dimensions mm(in.)					Q'ty / box																																						
	gold-plated plug	tin-plated plug	A	B	C	D	E																																							
9	<b>JEY- 9P-1A**</b>	<b>JEY- 9P-1A**90</b>	16.90( .665)	24.99( .984)	30.80(1.213)	8.1(.319)	9.52(.375)	100																																						
15	<b>JAY-15P-1A**</b>	<b>JAY-15P-1A**90</b>	25.25( .994)	33.33(1.312)	39.14(1.541)	8.1(.319)	9.52(.375)	60																																						
25	<b>JBY-25P-1A**</b>	<b>JBY-25P-1A**90</b>	38.97(1.534)	47.04(1.852)	53.00(2.087)	8.2(.323)	9.62(.379)	40																																						
Without grounding adapters		0A	0B																																											
With grounding adapters with a 3.2mm (.126") dia. hole		1A	1B																																											
With grounding adapters with an M3 thread		2A	2B																																											
With grounding adapters with a spring lock device (1)		3A	3B																																											
With grounding adapters with a spring lock device (2)		—	—																																											







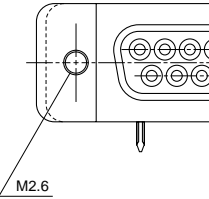
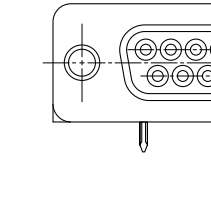
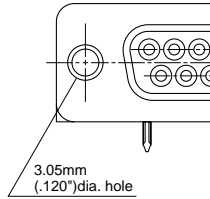
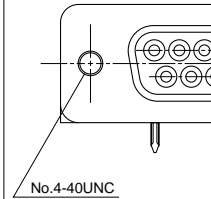
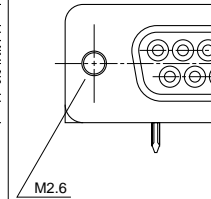
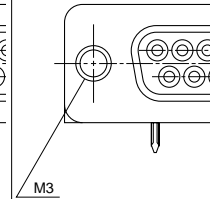
# D SUBMINIATURE CONNECTOR J SERIES

Type C	Type D	Type E	Type F	Type G	Type H
					
With rectangular lock screw blocks (H: 6.2mm (.244")) having an M2.6 thread	Without lock screw blocks	Without lock screw blocks E: Grounding adapter has no thread. F, G, H: Grounding adapters have a thread (*1) for securing separately-purchased lock screw blocks (*2)			
		Use a lock screw block of Model number JFS-( )S-C1N.	*1: No.4-40UNC inch thread *2: Model number JFS-4S-( )1W(M)	*1: M2.6 thread *2: Model number JFS-2.6S-( )1W(M)	*1: M3 thread *2: Model number JFS-3S-( )1W(M)
					
0C	0D	—	—	—	—
1C	1D	1E	1F	1G	—
2C	2D	2E	2F	2G	—
3C	3D	3E	3F	3G	—
—	—	—	—	—	4H

# D SUBMINIATURE CONNECTOR J SERIES

Right angle through-hole receptacle		Type A	Type B																																																				
<p>H: Height of the lock screw block (for Types A, B &amp; C)</p> <table border="1"> <thead> <tr> <th rowspan="2">Cir- cuits</th> <th colspan="2">Model No.</th> <th colspan="5">Dimensions mm(in.)</th> <th rowspan="2">Q'ty / box</th> </tr> <tr> <th>gold-plated receptacle</th> <th>tin-plated receptacle</th> <th>A</th> <th>B</th> <th>C</th> <th>D</th> <th>E</th> </tr> </thead> <tbody> <tr> <td>9</td> <td><b>JEY- 9S-1A**</b></td> <td><b>JEY- 9S-1A**90</b></td> <td>16.34(.643)</td> <td>24.99(.984)</td> <td>30.81(1.213)</td> <td>8.1(.319)</td> <td>9.52(.375)</td> <td>100</td> </tr> <tr> <td>15</td> <td><b>JAY-15S-1A**</b></td> <td><b>JAY-15S-1A**90</b></td> <td>24.67(.971)</td> <td>33.32(1.312)</td> <td>39.14(1.541)</td> <td>8.1(.319)</td> <td>9.52(.375)</td> <td>60</td> </tr> <tr> <td>25</td> <td><b>JB Y-25S-1A**</b></td> <td><b>JB Y-25S-1A**90</b></td> <td>38.38(1.511)</td> <td>47.04(1.852)</td> <td>53.04(2.088)</td> <td>8.2(.323)</td> <td>9.62(.379)</td> <td>40</td> </tr> <tr> <td>37</td> <td><b>JCY-37S-1A**</b></td> <td><b>JCY-37S-1A**90</b></td> <td>54.84(2.159)</td> <td>63.50(2.500)</td> <td>69.32(2.729)</td> <td>8.2(.323)</td> <td>9.62(.379)</td> <td>40</td> </tr> </tbody> </table> <p><i>Note:</i> ** shows the location where a two-digit code (see the table below for codes) should be entered. For example, if a 9-circuit gold-plated plug with hexagonal lock screw blocks having a No.4-40UNC inch thread and without grounding adapters is required, specify the model number as JEY-9S-1A0A.</p>		Cir- cuits	Model No.		Dimensions mm(in.)					Q'ty / box	gold-plated receptacle	tin-plated receptacle	A	B	C	D	E	9	<b>JEY- 9S-1A**</b>	<b>JEY- 9S-1A**90</b>	16.34(.643)	24.99(.984)	30.81(1.213)	8.1(.319)	9.52(.375)	100	15	<b>JAY-15S-1A**</b>	<b>JAY-15S-1A**90</b>	24.67(.971)	33.32(1.312)	39.14(1.541)	8.1(.319)	9.52(.375)	60	25	<b>JB Y-25S-1A**</b>	<b>JB Y-25S-1A**90</b>	38.38(1.511)	47.04(1.852)	53.04(2.088)	8.2(.323)	9.62(.379)	40	37	<b>JCY-37S-1A**</b>	<b>JCY-37S-1A**90</b>	54.84(2.159)	63.50(2.500)	69.32(2.729)	8.2(.323)	9.62(.379)	40	<p>With hexagonal lock screw blocks (H: 6.3mm (.248")) having a No.4-40UNC inch thread</p>	<p>With hexagonal lock screw blocks (H: 6.3mm (.248")) having an M2.6 thread</p>
Cir- cuits	Model No.		Dimensions mm(in.)					Q'ty / box																																															
	gold-plated receptacle	tin-plated receptacle	A	B	C	D	E																																																
9	<b>JEY- 9S-1A**</b>	<b>JEY- 9S-1A**90</b>	16.34(.643)	24.99(.984)	30.81(1.213)	8.1(.319)	9.52(.375)	100																																															
15	<b>JAY-15S-1A**</b>	<b>JAY-15S-1A**90</b>	24.67(.971)	33.32(1.312)	39.14(1.541)	8.1(.319)	9.52(.375)	60																																															
25	<b>JB Y-25S-1A**</b>	<b>JB Y-25S-1A**90</b>	38.38(1.511)	47.04(1.852)	53.04(2.088)	8.2(.323)	9.62(.379)	40																																															
37	<b>JCY-37S-1A**</b>	<b>JCY-37S-1A**90</b>	54.84(2.159)	63.50(2.500)	69.32(2.729)	8.2(.323)	9.62(.379)	40																																															
Without grounding adapters				0A	0B																																																		
With grounding adapters with a 3.2mm (.126") dia. hole				1A	1B																																																		
With grounding adapters with an M3 thread				2A	2B																																																		
With grounding adapters with a spring lock device (1)				3A	3B																																																		
With grounding adapters with a spring lock device (2)				—	—																																																		

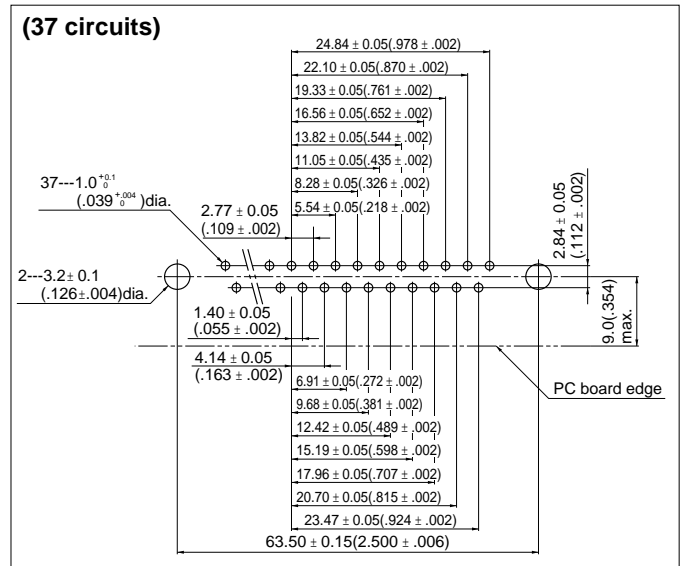
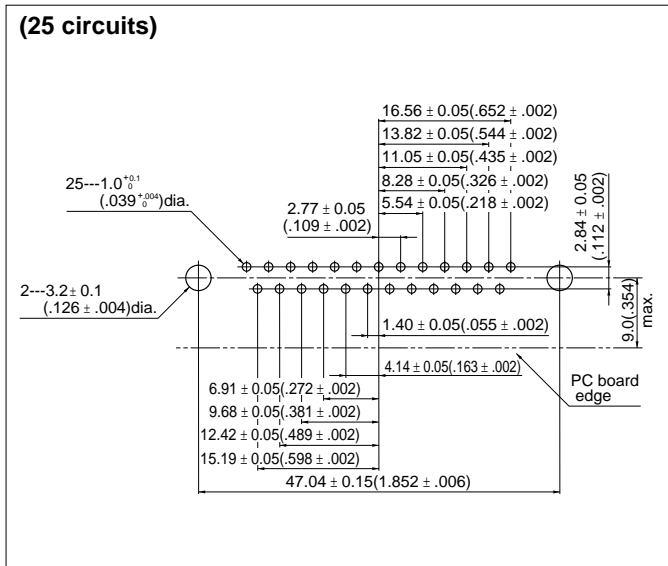
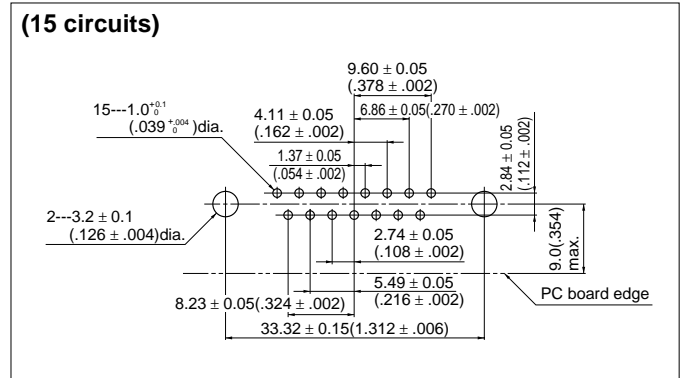
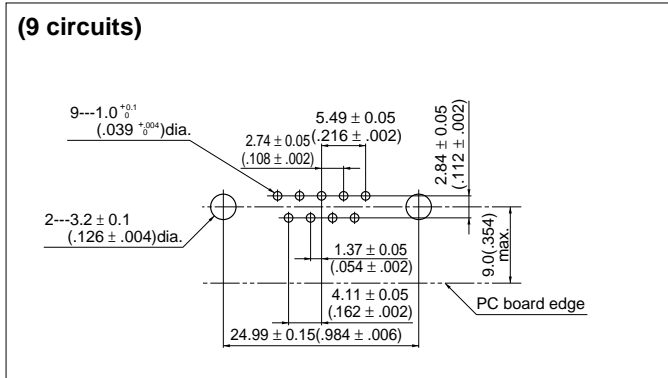
# D SUBMINIATURE CONNECTOR J SERIES

Type C	Type D	Type E	Type F	Type G	Type H
					
With rectangular lock screw blocks (H: 6.2mm (.244")) having an M2.6 thread	Without lock screw blocks	Without lock screw blocks E: Grounding adapter has no thread. F, G, H: Grounding adapters have a thread (*1) for securing separately-purchased lock screw blocks (*2)			
		Used a lock screw block [model number JFS-( )S-C1N]	*1: No.4-40UNC inch thread *2: Model number JFS-4S-( )1W(M)	*1: M2.6 thread *2: Model number JFS-2.6S-( )1W(M)	*1: M3 thread *2: Model number JFS-3S-( )1W(M)
					
0C	0D	—	—	—	—
1C	1D	1E	1F	1G	—
2C	2D	2E	2F	2G	—
3C	3D	3E	3F	3G	—
—	—	—	—	—	4H



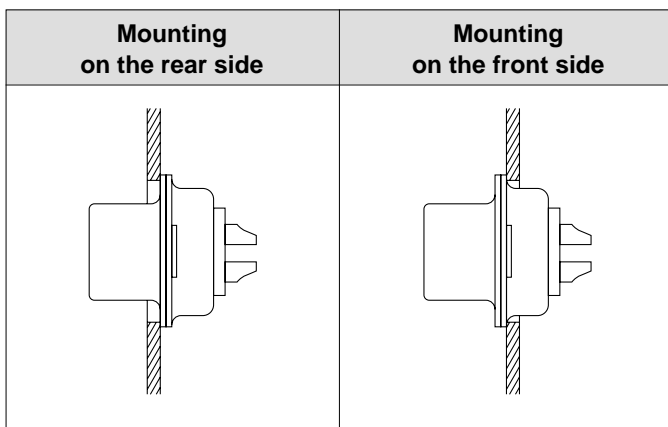
# D SUBMINIATURE CONNECTOR J SERIES

## PC board layout (viewed from component side)

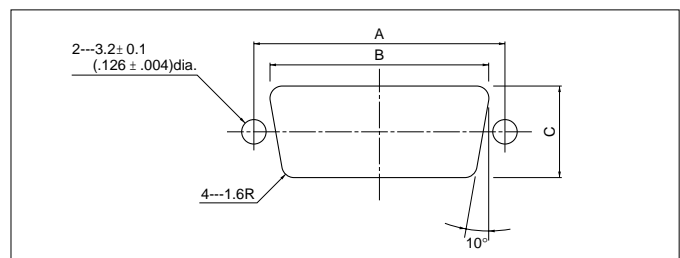


- Note:
1. Tolerances are non-cumulative:  $\pm 0.05\text{mm}$  ( $\pm .002''$ ) for all centers.
  2. Hole dimensions differ according to the kind of PC board and piercing method. The dimensions above should serve as a guideline. Contact JST for details.

## Panel layout

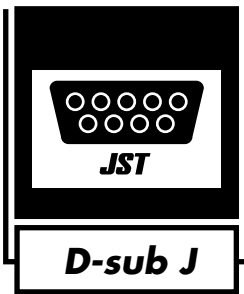


The connector can be mounted either on the front side or on the rear side of the panel as shown above.  
Use M2.5 or M2.6 screws for installation.



Circuits	A $\pm 0.15$ (.006)	B $\pm 0.2$ (.008)	C $\pm 0.2$ (.008)
9	24.99(.984)	20.6(.811)	12.0(.472)
15	33.32(1.312)	28.8(1.134)	12.0(.472)
25	47.04(1.852)	42.6(1.677)	12.0(.472)
37	63.50(2.500)	59.0(2.323)	12.0(.472)

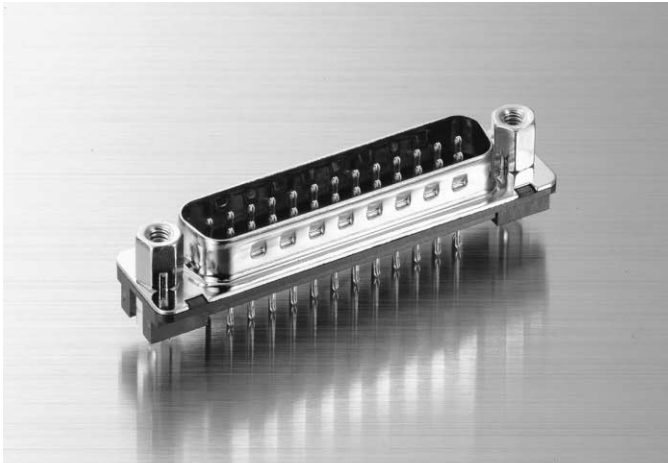
Note: The dimensions above should serve as a guideline. Contact JST for details.



# D SUBMINIATURE CONNECTOR J SERIES

*Straight through-hole plug and receptacle*

## STRAIGHT THROUGH-HOLE PLUG AND RECEPTACLE



Straight through-hole plug  
(with hexagonal lock screw blocks)



Straight through-hole receptacle (without lock screw blocks, but  
with grounding adapters having a No.4-40UNC inch thread)

## Features

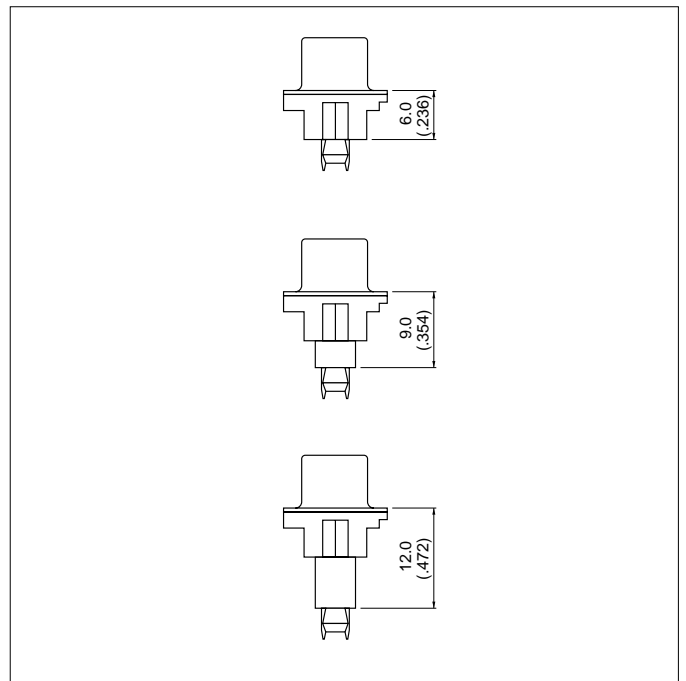
- Three standard types are available with different dimensions between the flange and solder tail: 6mm (.236"), 9mm (.354"), and 12mm (.472").
- The roots of the contact leads are covered to prevent flux from rising into the connector during soldering.
- A grounding adapter with a spring lock device allows the connector to be temporarily secured onto the printed circuit board so that the connector can be soldered easily.

## Standards

Recognized E60389

Certified LR20812

- \* Contact JST if Lead-Free product is required.
- \* Refer to "General Instruction and Notice when using Terminals and Connectors" at the end of this catalog.
- \* Contact JST for details.



# D SUBMINIATURE CONNECTOR J SERIES

## Specifications

### Materials

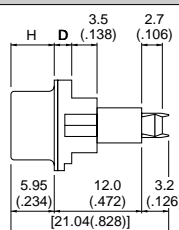
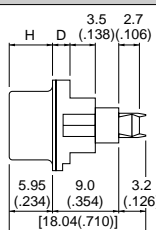
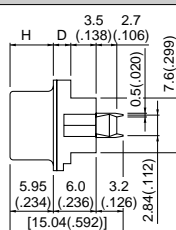
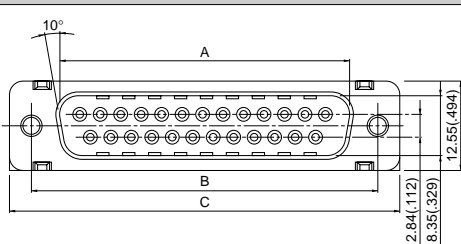
Part name		Material and Finish
Contact	Plug	Brass, nickel-undercoated, selective gold-plated
	Receptacle	Phosphor bronze, nickel-undercoated, selective gold-plated
Insulator		Glass-filled PBT, UL94V-0, black
Shell		Steel, copper-undercoated, nickel-plated
Hexagonal lock screw block		Steel, copper-undercoated, nickel-plated
Grounding adapter with spring lock device		Brass, copper-undercoated, tin/lead-plated

### Characteristics

Current rating	3A AC, DC
Voltage rating	250V AC, DC
Temperature range	-40°C to +85°C (including temperature rise in applying electrical current)
Contact resistance	Initial value/15mΩ max. After environmental testing/30mΩ max.
Insulation resistance	5,000MΩ min.
Withstanding voltage	1,000V AC/minute
Applicable PC board thickness	1.6mm(.063")

\*Contact JST for details.

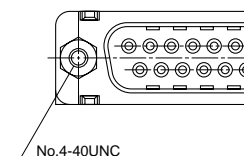
### Straight through-hole plug



### Type A



With hexagonal lock screw blocks (H: 6.3mm (.248")) having a No.4-40UNC inch thread



H: Height of the lock screw block (for Types A, B & J)

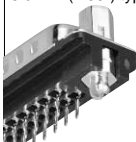
Cir- cuits	Dimension between flange and solder tail mm(in.)	Model No.		Dimensions mm(in.)				Q'ty / box
		Gold-plated (flash) Plug	Gold-plated 0.76micron(30micro-inch)	A	B	C	D	
9	6 (.236)	<b>JES- 9P-2A**</b>	<b>JES- 9P-2A**14</b>	16.90 (.665)	24.99 (.984)	30.8 (1.213)	2.4 (.094)	100
	9 (.354)	<b>JES- 9P-3A**</b>	<b>JES- 9P-3A**14</b>					
	12 (.472)	<b>JES- 9P-4A**</b>	<b>JES- 9P-4A**14</b>					
25	6 (.236)	<b>JBS-25P-2A**</b>	<b>JBS-25P-2A**14</b>	38.97 (1.534)	47.04 (1.852)	53.0 (2.087)	2.5 (.098)	50
	9 (.354)	<b>JBS-25P-3A**</b>	<b>JBS-25P-3A**14</b>					
	12 (.472)	<b>JBS-25P-4A**</b>	<b>JBS-25P-4A**14</b>					

Note:

\*\* shows the location where a two-digit code (see the table below for codes) should be entered. For example, if a gold-plated (flash) receptacle with hexagonal lock screw blocks having a No. 4-40UNC inch thread and without grounding adapters whose dimension between flange and solder tail is 6.0mm(.236") is required, specify the model number as JBS-25P-2A3A.

With grounding adapters with a spring lock device

6.0 mm (.236") type



9.0 mm (.354") type



12.0 mm (.472") type



3A


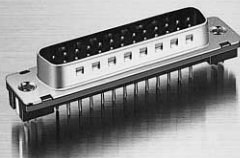
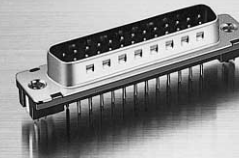
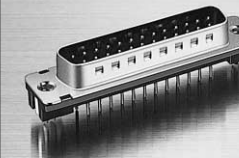
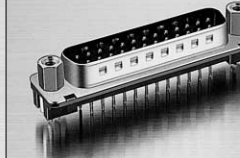
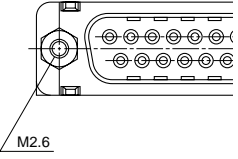
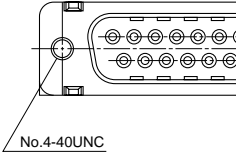
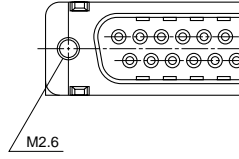
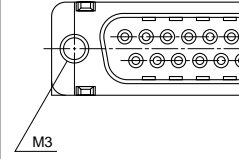
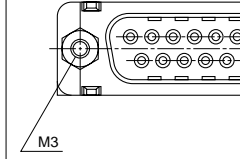
# D SUBMINIATURE CONNECTOR J SERIES

## Model number identification

• Series name	<b>J</b>	<b>B</b>	<b>S</b>	—	<b>25</b>	<b>P</b>	—	<b>2A</b>	<b>3</b>	<b>F</b>	<b>14</b>	<b>S1</b>
• Shell size: B, E												
• Wire connection type: S ... Straight through-hole type												
• Number of circuits: 9, 25												
• Connector type: P ... Plug S ... Receptacle												
• Connector construction/dimensions: 2A ... 6.0 mm (.236") from flange to solder tail 3A ... 9.0 mm (.354") from flange to solder tail 4A ... 12.0mm (.472") from flange to solder tail												
• Types of grounding adapter: 3 ... Grounding adapter with a spring lock device												
• Types of lock screw block: A ... With hexagonal lock screw blocks having a No. 4-40UNC inch thread B ... With hexagonal lock screw blocks having an M2.6 thread F ... Without lock screw blocks, but with grounding adapters having a No.4-40UNC inch thread G ... Without lock screw blocks, but with grounding adapters having an M2.6 thread H ... Without lock screw blocks, but with grounding adapters having an M3 thread J ... With hexagonal lock screw block having an M3 thread												
• Finish Blank ... Gold-plated(flash)                      12 ... 0.2micron(8micro-inch)gold-plated 13 ... 0.4micron(16micro-inch)gold-plated      14 ... 0.76micron(30micro-inch)gold-plated      90 ... Tin-plated												
• Spring lock devices Blank...Without spring lock devices S or S1...With spring lock devices (round type) S2...With spring lock devices (with addition of spring characteristic, round type) S3...With spring lock devices (with addition of spring characteristic, rhombus type)												

**Note:**

- In the J Series, the number of circuits is determined by the shell size: 9 circuits for E and 25 circuits for B.
- Contact JST for special plating requirements.
- Contact JST for the dimensions between the flange and solder tail other than those listed above.
- Grounding adapters that can secure printed circuit boards are also available.

Type B	Type F	Type G	Type H	Type J
				
With hexagonal lock screw blocks (H: 6.3mm(.248")) having an M2.6 thread	Without lock screw blocks F, G, H: Grounding adapters have a thread (*1) for securing separately-purchased lock screw blocks (*2)			With hexagonal lock screw blocks (H: 6.3mm (.248")) having an M3 thread
	*1: No.4-40UNC inch thread *2: Model number SFS-4S-( )1W(M) 	*1: M2.6 thread *2: Model number SFS-2.6S-( )1W(M) 	*1: M3 thread *2: Model number SFS-3S-( )1W(M) 	
<b>3B</b>	<b>3F</b>	<b>3G</b>	<b>3H</b>	<b>3J</b>

# D SUBMINIATURE CONNECTOR J SERIES

### Straight through-hole receptacle

H: Height of the lock screw block (for Types A, B & J)

Cir- cuits	Dimension between flange and solder tail mm(in.)	Model No.			Dimensions mm(in.)				Q'ty / box
		Gold-plated (flash) receptacle	Gold-plated 0.76micron(30micro-inch)	Tin-plated	A	B	C	D	
9	6(.236)	<b>JES- 9S-2A**</b>	<b>JES- 9S-2A**14</b>	—	16.34 (.643)	24.99 (.984)	30.8 (1.213)	2.4 (.094)	100
	9(.354)	<b>JES- 9S-3A**</b>	<b>JES- 9S-3A**14</b>	—					
	12(.472)	<b>JES- 9S-4A**</b>	<b>JES- 9S-4A**14</b>	—					
25	6(.236)	<b>JBS-25S-2A**</b>	<b>JBS-25S-2A**14</b>	<b>JBS-25S-2A**90</b>	38.38 (1.511)	47.04 (1.852)	53.0 (2.087)	2.5 (.098)	50
	9(.354)	<b>JBS-25S-3A**</b>	<b>JBS-25S-3A**14</b>	<b>JBS-25S-3A**90</b>					
	12(.472)	<b>JBS-25S-4A**</b>	<b>JBS-25S-4A**14</b>	—					

Note: \*\* shows the location where a two-digit code (see the table below for codes) should be entered. For example, if a gold-plated (flash) receptacle with hexagonal lock screw blocks having a No. 4-40UNC inch thread and without grounding adapters whose dimension between flange and solder tail is 6.0mm(.236") is required, specify the model number as JES-9S-2A3A.

### Type A

With hexagonal lock screw blocks (H: 6.3mm (.248")) having a No.4-40UNC inch thread

With grounding adapters with a spring lock device

6.0 mm (.236") type

9.0 mm (.354") type

12.0 mm (.472") type

3A

## PC board layout (viewed from component side)

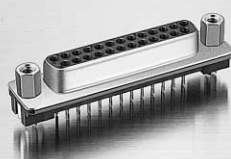




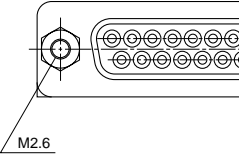
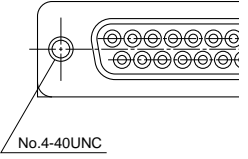
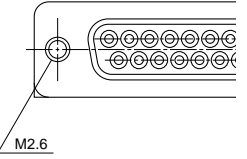
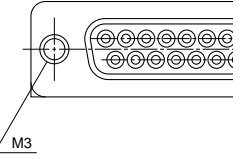
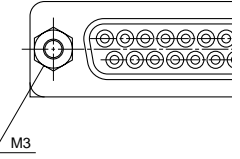
### (9-circuits)

### (25- circuits)

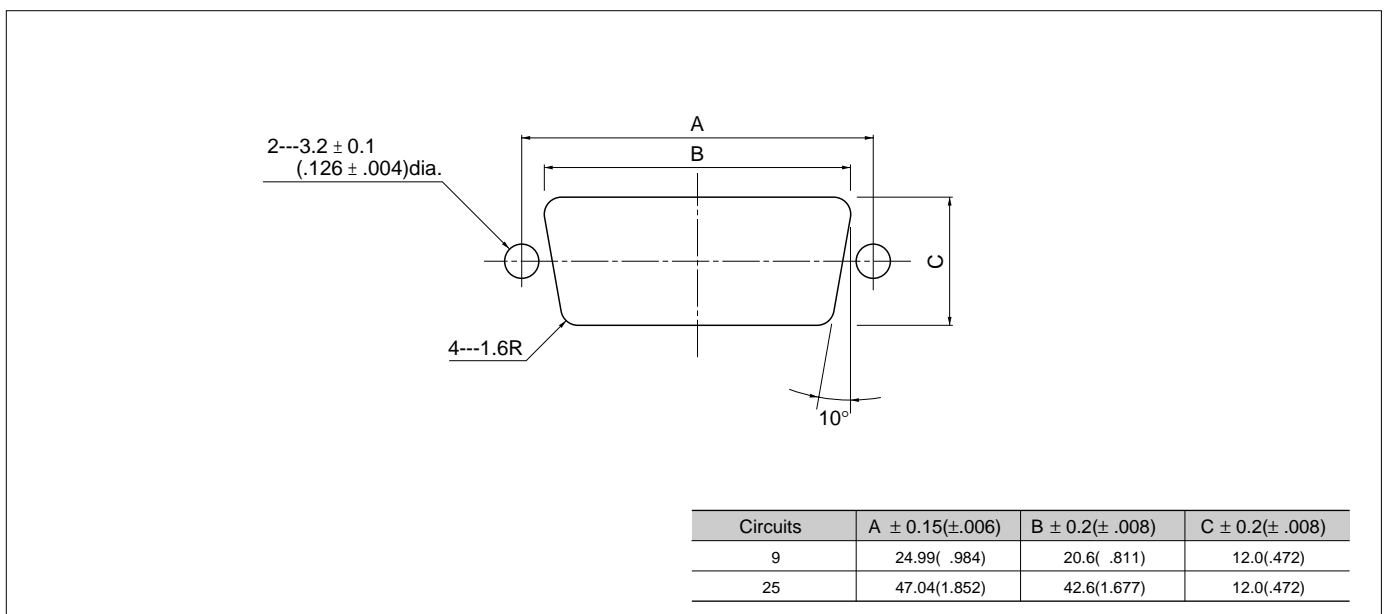
Note:

- Tolerances are non-cumulative:  $\pm 0.05\text{mm}$  ( $\pm .002''$ ) for all centers.
- Hole dimensions differ according to the kind of PC board and piercing method. The dimensions above should serve as a guideline. Contact JST for details.

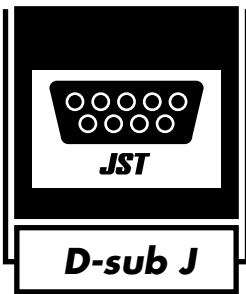
# D SUBMINIATURE CONNECTOR J SERIES

Type B	Type F	Type G	Type H	Type J
				
With hexagonal lock screw blocks (H: 6.3mm (.248")) having an M2.6 thread	Without lock screw blocks F, G, H: Grounding adapters have a thread (*1) for securing separately-purchased lock screw blocks (*2)			With hexagonal lock screw blocks (H: 6.3mm (.248")) having an M3 thread
 M2.6	*1: No.4-40UNC inch thread *2: Model number SFS-4S-( )1W(M)  No.4-40UNC	*1: M2.6 thread *2: Model number SFS-2.6S-( )1W(M)  M2.6	*1: M3 thread *2: Model number SFS-3S-( )1W(M)  M3	 M3
3B	3F	3G	3H	3J

## Panel layout



Note: The dimensions above should serve as a guideline. Contact JST for details.



# D SUBMINIATURE CONNECTOR J SERIES

Crimp style plug and receptacle

## CRIMP STYLE PLUG AND RECEPTACLE



Pin contact  
Crimp style plug



Socket contact  
Crimp style receptacle

## Features

- The contacts of this plug are formed by high-speed stamping presses into continuous strips that can be automatically fed into our compact crimping machines. Much less time is required to assemble CRT and RS-232C round cables using this plug than when soldering connections.
- The contacts in this connector are selectively gold-plated. Moreover, JST's advanced technological knowledge and

experience are fully utilized to significantly reduce production costs.

- The dimples in the connector shell provide the ground connection and are important factors in preventing electromagnetic interference. The contact has a lance that can be visually checked during assembly. This assures accurate assembly and reduces defects.

## Specifications

### Materials

Connector	Part name	Material and Finish
Plug	Pin contact	Brass, nickel-undercoated, selective gold-plated or copper-undercoated, tin-plated
	Insulator	Glass-filled PBT, UL94V-0, black
	Shell	Steel, copper-undercoated, tin/lead-plated
Receptacle	Socket contact	Phosphor bronze, nickel-undercoated, selective gold-plated
	Insulator	Glass-filled PBT, UL94-0, black
	Shell	Steel, copper-undercoated, tin/lead-plated

### Characteristics

Current rating	3A, AC, DC (2A for 37-circuits)(AWG #20)
Voltage rating	250V AC, DC
Temperature range	-40°C to +85°C (including temperature rise in applying electrical current)
Contact resistance	Initial value/15mΩ max. After environmental testing/30mΩ max.
Insulation resistance	5,000MΩ min.
Withstanding voltage	1,000V AC/minute

Note: Contact JST for details.

## Standards

Recognized E60389

Certified LR20812

690 **JST**

### Model number identification

#### Contact

- Series name: J — S P 2 1 40
- Product shape: S ... Chain, B ... Loose piece
  - Type of contact: P ... Pin contact, S ... Socket contact
  - Applicable wire: 1 ... AWG #24 to #20, 2 ... AWG #28 to #24
  - Material: 1 ... Brass(Pin contact), 3 ... Phosphor bronze(Socket contact)
  - Finish:
 

40 ... Gold-plated (flash)	42 ... 0.2micron(8micro-inch) gold-plated
43 ... 0.4micron(16micro-inch)gold-plated	44 ... 0.76micron(30micro-inch) gold-plated
90 ... Tin-plated	

Note: Contact JST for special plating requirements.

#### Housing

- Series name: J E C — 9 P
- Shell size: E, A, B, C
  - Wire connection style: C ... crimp style
  - Number of circuits: 9, 15, 25, 37
  - Connector style: P ... Plug, S ... Receptacle

Note: The relationship between number of circuits and shell size is shown below.  
9: E, 15: A, 25: B, 37: C

\* Contact JST if Lead-Free product is required.

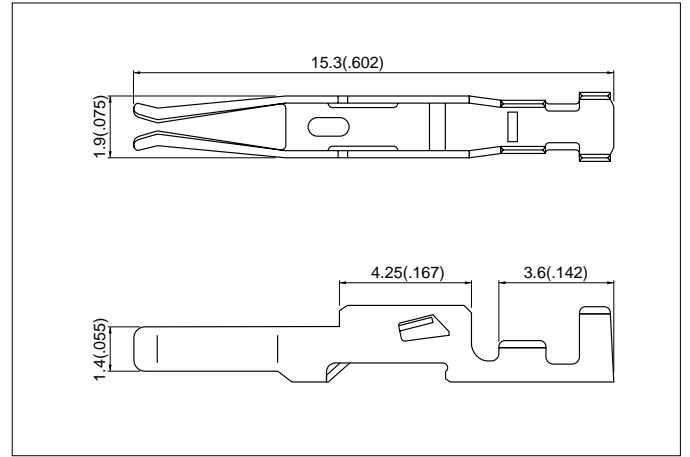
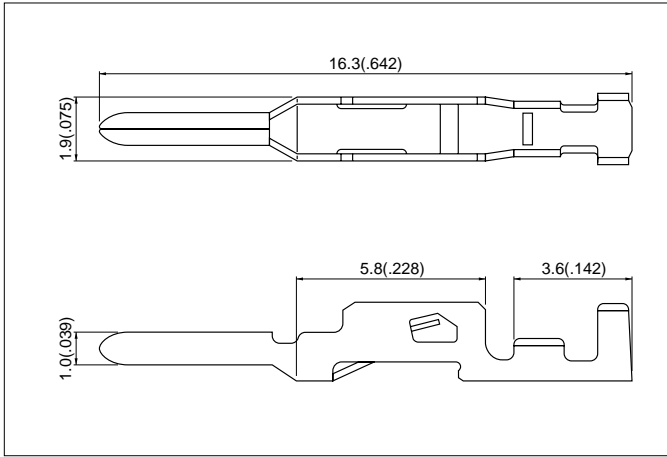
\* Refer to "General Instruction and Notice when using Terminals and Connectors" at the end of this catalog.

\* Contact JST for details.

# D SUBMINIATURE CONNECTOR J SERIES

## Pin contact (for plug housing)

## Socket contact (for receptacle housing)

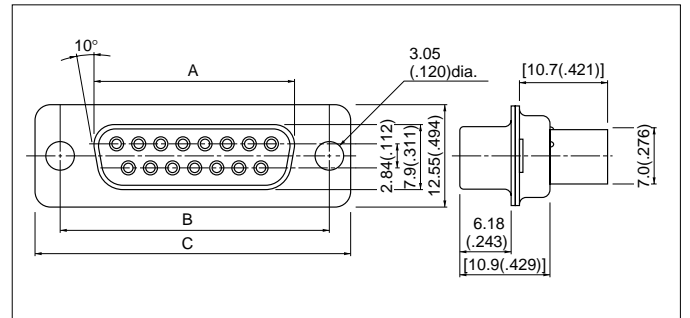
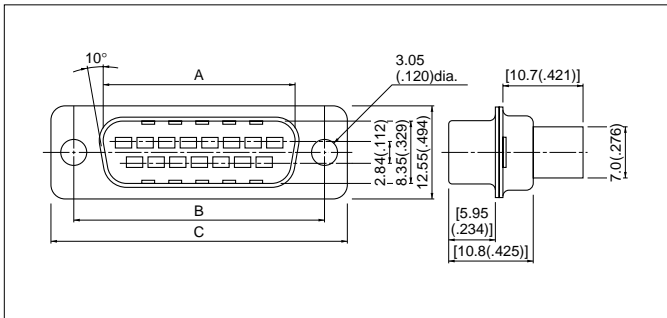


Model No.			Applicable wire		Q'ty / reel
Pin contact		Socket contact	AWG #	Insulation O.D. mm(in.)	
Gold-plated	Tin-plated	Gold-plated	#24 to #20	1.1 to 1.8mm(.043" to .071")	10,000
<b>*J-SP1140</b>	<b>*J-SP1190</b>	<b>*J-SS1340</b>			
<b>J-SP2140</b>	<b>J-SP2190</b>	<b>J-SS2340</b>	#28 to #24	0.9 to 1.3mm(.035" to .051")	

Note: Models marked \* are not CSA certified.

## Plug housing

## Receptacle housing



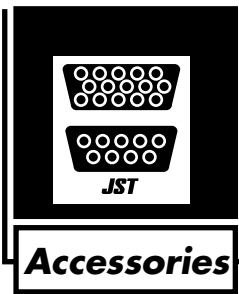
Cir-cuits	Model No.	Dimensions mm(in.)			Q'ty / box
		A	B	C	
9	<b>JEC- 9P</b>	16.92( .666)	24.99( .984)	30.80(1.213)	100
15	<b>JAC-15P</b>	25.25( .994)	33.32(1.312)	39.14(1.541)	100
25	<b>JBC-25P</b>	38.97(1.534)	47.04(1.852)	53.04(2.088)	50
37	<b>JCC-37P</b>	55.43(2.182)	63.50(2.500)	69.32(2.729)	50

Cir-cuits	Model No.	Dimensions mm(in.)			Q'ty / box
		A	B	C	
9	<b>JEC- 9S</b>	16.34( .643)	24.99( .984)	30.80(1.213)	100
15	<b>JAC-15S</b>	24.67( .971)	33.33(1.312)	39.14(1.541)	100
25	<b>JBC-25S</b>	38.38(1.511)	47.04(1.852)	53.04(2.088)	50

## Applicator for the semi-automatic press AP-K2N

Contact	Crimp applicator MKS-L		Compact crimp applicator MKS-LS		Strip-crimp applicator MKS-SC
	with safety cover	without safety cover	with safety cover	without safety cover	with safety cover
<b>J-SP1***</b>	APLMK J-SP/SS1	APLNC J-SP/SS1	-	-	APLSC J-SP/SS1
<b>J-SS1***</b>	APLMK J-SP/SS1	APLNC J-SP/SS1	-	-	APLSC J-SP/SS1
<b>J-SP2***</b>	APLMK J-SP/SS2	APLNC J-SP/SS2	-	-	APLSC J-SP/SS2
<b>J-SS2***</b>	APLMK J-SP/SS2	APLNC J-SP/SS2	-	-	APLSC J-SP/SS2





# DSUBMINIATURE CONNECTOR J&JK SERIES

EMI prevention shielding cover (J cover)

## J COVER



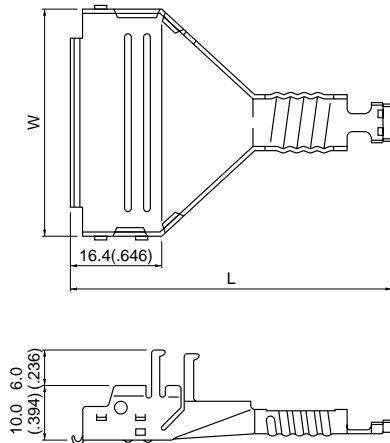
## Features

- This shielding cover is made of steel, formed by our advanced stamping technology, and nickel-plated.
  - The box-shaped cover completely encloses such EMI radiating areas as the connections between the connector and wires. The result is a superior shielding effect.
  - To install the shielding cover, simply align and press the upper and lower cover elements, then tighten the nuts. It then securely grips the round cables.
  - This cover is so compact, light and sturdy, that it can be used to cover the connectors of any input/output cable. Moreover, it is attractive in appearance.
- \* Contact JST if Lead-Free product is required.  
 \* Refer to "General Instruction and Notice when using Terminals and Connectors" at the end of this catalog.  
 \* Contact JST for details.

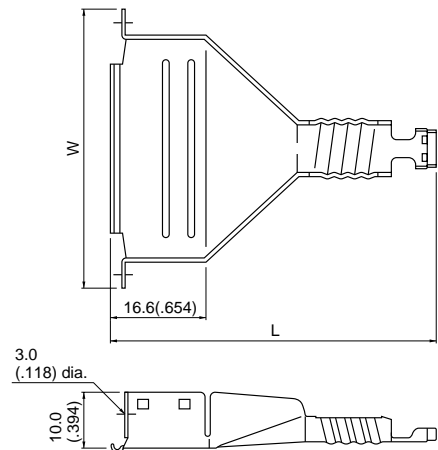
## Applicable cable dimensions

Circuits		Cable outer diameter mm(in.)
J series	JK series	
9	15	7.0 ±0.2(.276±.008)
15	—	
25	—	8.0 ±0.2(.315±.008)
37	—	10.0 ±0.2(.394±.008)

## Shielding cover A



## Shielding cover B



J series		JK series		Dimensions mm(in.)		Q'ty / box
Cir-cuits	Model No.	Cir-cuits	Model No.	W	L	
9	<b>J-SC 9A</b>	15	<b>JK-SC15A</b>	19.4(.764)	42.0(1.654)	200
15	<b>J-SC15A</b>	—	—	27.6(1.087)	46.9(1.846)	150
25	<b>J-SC25A</b>	—	—	41.4(1.630)	57.0(2.244)	100
37	<b>J-SC37A</b>	—	—	57.8(2.276)	70.6(2.780)	125

### Material and Finish

Steel, copper- undercoated, nickel-plated

Circuits		Model No.	Dimensions mm(in.)		Q'ty / box
J series	JK series		W	L	
9	15	<b>J-SC 9B</b>	30.0(1.181)	[42.0(1.654)]	200
15	—	<b>J-SC15B</b>	38.0(1.496)	[49.7(1.957)]	150
25	—	<b>J-SC25B</b>	52.0(2.047)	[57.0(2.244)]	150
37	—	<b>J-SC37B</b>	68.0(2.677)	[70.6(2.780)]	100

### Material and Finish

Steel, copper-undercoated, nickel-plated

### Note:

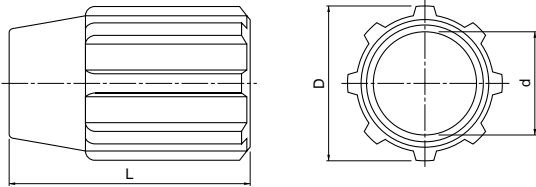
The cover of the JK series 15-circuit connector is the same as that of the J series 9-circuit connector, except for the number of circuits indicated.

### Note:

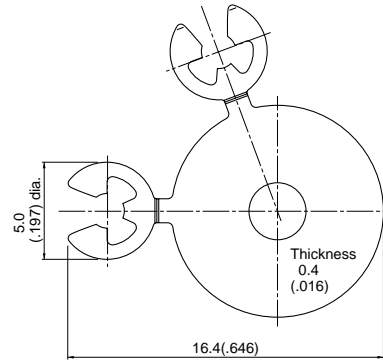
The cover of the JK series 15-circuit connector is the same as that of the J series 9-circuit connector.

# D SUBMINIATURE CONNECTOR J&K SERIES

## Cover nut



## E-ring



Circuits	Model No.	D	d	L	Q'ty / box
9	<b>J-CN9 . 15</b>	13.6(.535)	7.2(.283)	19.0( .748)	1,000
15					
25	<b>J-CN25</b>	16.4(.646)	8.4(.331)	25.0( .984)	1,000
37	<b>J-CN37</b>	18.8(.740)	10.4(.409)	28.0(1.102)	1,500

### Material

Glass-filled, PBT, UL94V-0, black

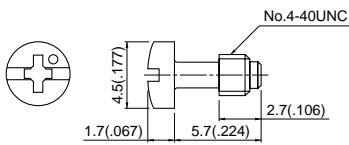
Model No.	Q'ty / box
<b>J-ER</b>	5,000
Material	
Stainless steel	

### Note:

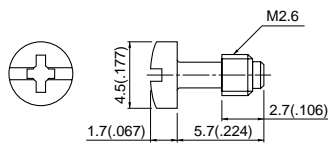
The cover nuts, lock screws and E-rings are used with both the J and JK series connectors.

## Lock screw

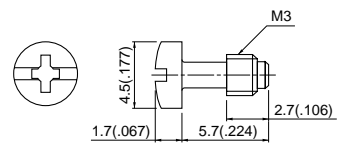
### No.4-40UNC (Inch thread)



### M2.6 (Metric thread)



### M3 (Metric thread)



Type of screw	Model No.	Q'ty / box
No.4-40UNC (Inch thread)	<b>J-SL-1C</b>	5,000
M2.6 (Metric thread)	<b>J-SL-2C</b>	5,000
M3 (Metric thread)	<b>J-SL-3C</b>	5,000

### Material and Finish

Steel, copper-undercoated, nickel-plated

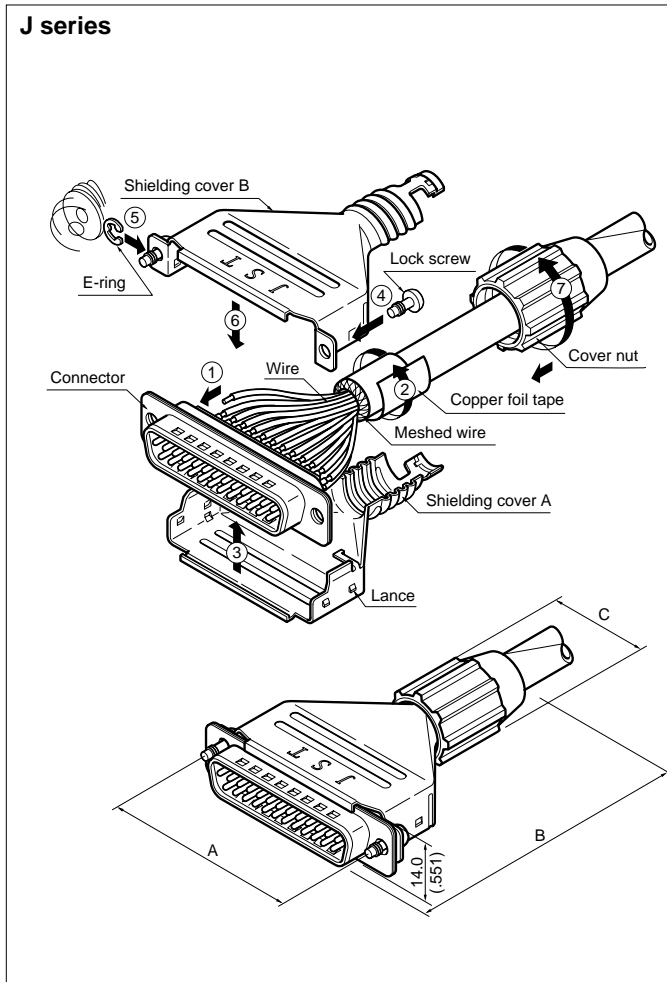
Use the following Model Nos. when ordering J-covers as a set.

J series		JK series		Parts in one set	Q'ty / box
Circuits	Model No.	Circuits	Model No.		
9	<b>J-C 9-( )C</b>	15	<b>JK-C15-( )C</b>	Shielding cover A ..... 1 pc.	25
15	<b>J-C15-( )C</b>	—	—	Shielding cover B ..... 1 pc.	25
25	<b>J-C25-( )C</b>	—	—	Cover nut ..... 1 pc.	20
37	<b>J-C37-( )C</b>	—	—	Lock screw ..... 2 pcs.	10
				E-ring ..... 1 set	

Note: In the above lock screw model numbers, the number in parentheses indicates the type of screw-1: Inch thread (No.4-40UNC), 2: Metric thread (M2.6), 3: Metric thread (M3).

# D SUBMINIATURE CONNECTOR J&JK SERIES

## J-cover assembly procedure



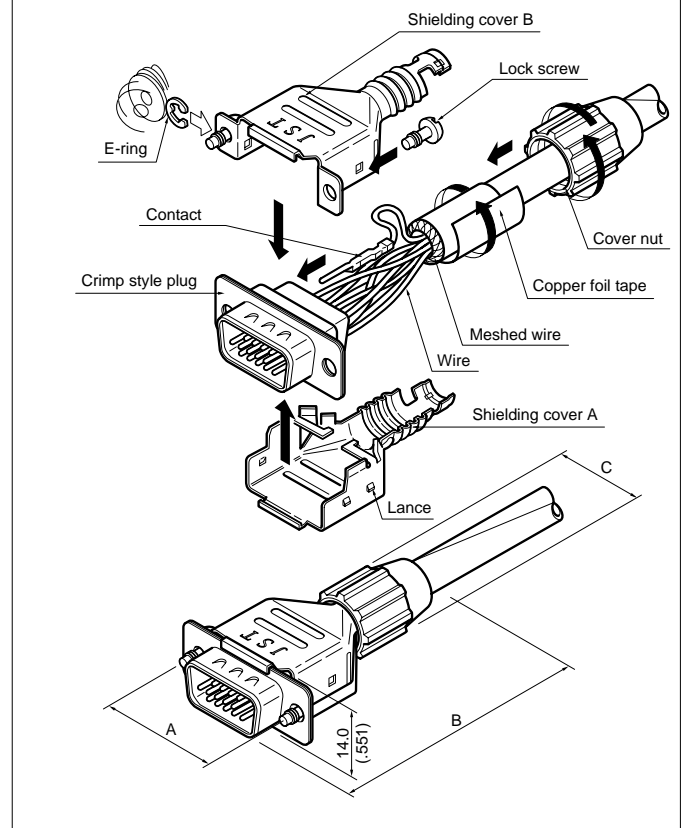
### Assembly procedure

1. Connect wires to the connector by soldering or crimping.
2. Fold back the braided shielding wire along the outside insulation and wind the copper foil tape around the shielding wire.
3. Install the connector into shielding cover A.
4. Screw the lock screws onto shielding cover B.
5. Install the E-rings.
6. Align shielding cover B with shielding cover A and press shielding cover B until it engages the lances of shielding cover A.
7. Tighten the cover nut until the predetermined position is reached.

#### Note:

For details of the J-cover assembly procedure, please refer to the processing specifications separately available. The shielding effect of the J-cover is critically dependent on proper assembly.

## JK series



### Dimensions after assembly

Circuits		Dimensions mm(in.)		
J series	JK series	A	B	C
9	15	24.99(.984)	[49.0(1.929)]	13.6(.535)
15	—	33.32(1.312)	[53.0(2.087)]	13.6(.535)
25	—	47.04(1.852)	[64.5(2.539)]	16.4(.646)
37	—	63.50(2.500)	[78.5(3.091)]	18.9(.744)



# D SUBMINIATURE CONNECTOR J&JK SERIES

EMI prevention overmolding cover

## MOLD COVER



## Features

- This cover completely encloses all wire connections to the connector, and its braided wire crimp section ensures a reliable ground connection. The result is excellent shielding.
- This cover is sturdy enough to withstand the high pressure necessary during overmolding. It can thus be finish-molded directly.

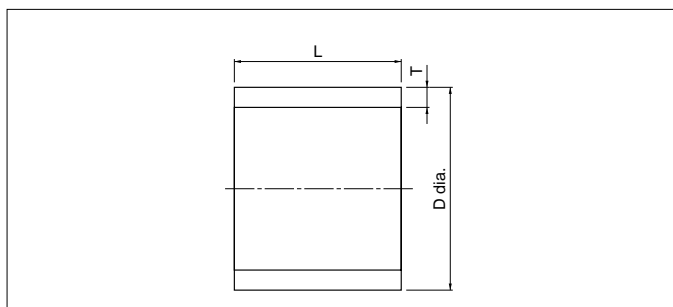
- \* Contact JST if Lead-Free product is required.
- \* Refer to "General Instruction and Notice when using Terminals and Connectors" at the end of this catalog.
- \* Contact JST for details.

## Applicable cable diameter

Circuits		Cable O.D.mm(in.)
J series	JK series	
9	15	8.6±0.2(.339±.008)
15	—	7.6±0.2(.299±.008)
25	—	8.6±0.2(.339±.008)

Note: Contact JST for cables other than those listed above.

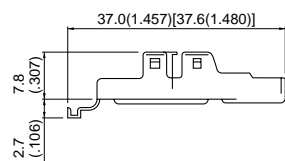
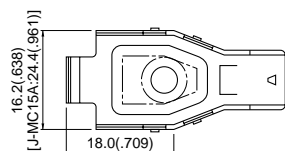
## Ferrule



Circuits		Ferrule	Dimensions mm(in.)		
J series	JK series		D dia.	T	L
9, 25	15	A	8.0(.315)	0.5(.020)	4.0(.157)
		B	11.3(.445)	0.6(.024)	8.0(.315)
15	—	A	7.0(.276)	0.5(.020)	4.0(.157)
		B	10.5(.413)	0.6(.024)	8.0(.315)

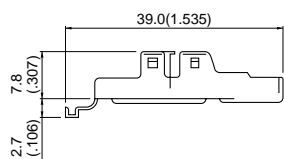
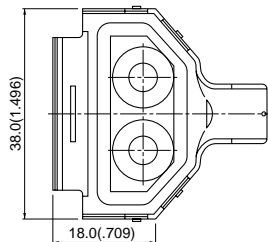
### Mold cover A

JK-MC15A-3  
J-MC15A



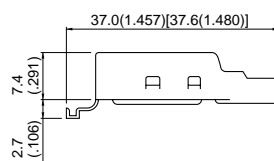
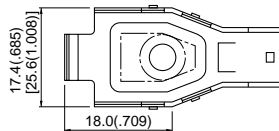
\*Dimensions in [ ] are those for the J-MC15A.

J-MC25A-4



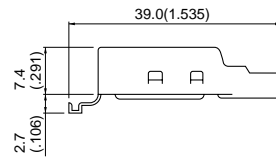
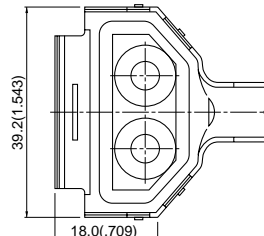
### Mold cover B

JK-MC15B-3  
J-MC15B



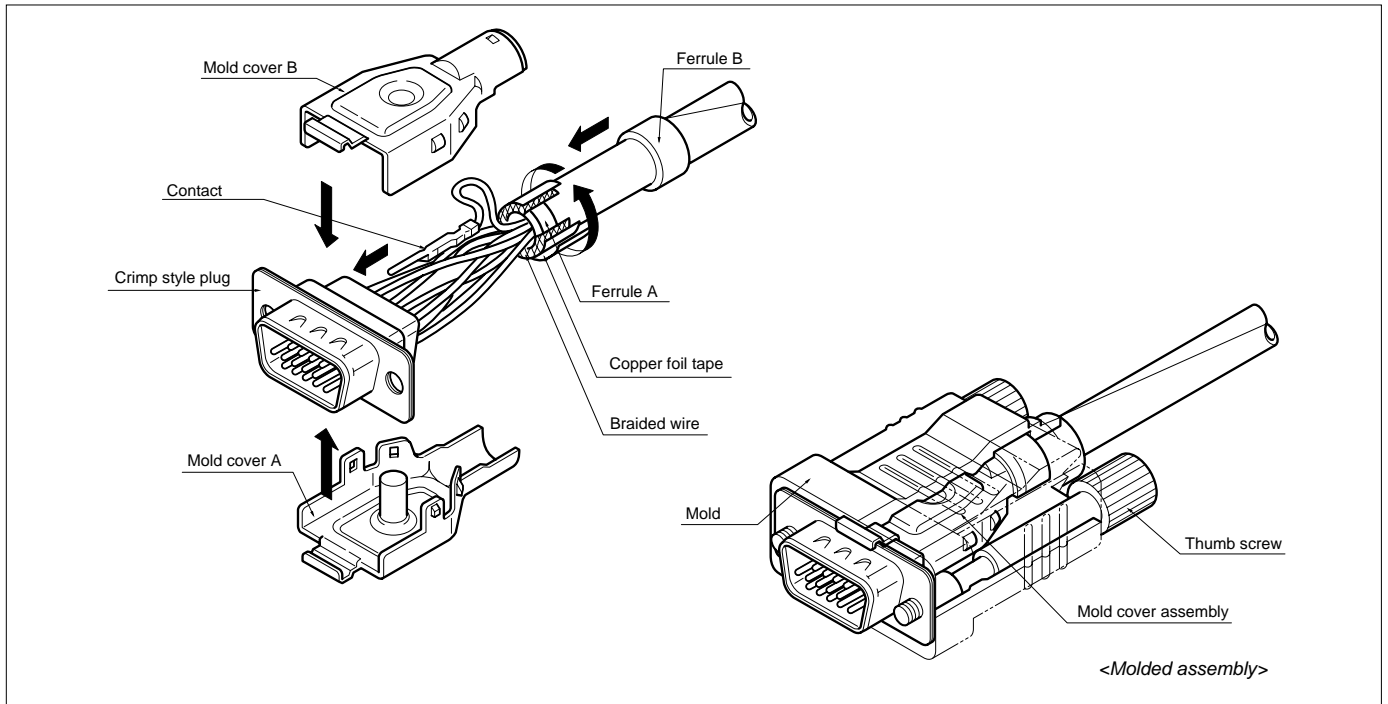
\*Dimensions in [ ] are those for the J-MC15B.

J-MC25B-4



# D SUBMINIATURE CONNECTOR J&K SERIES

## Mold cover assembly procedure



Note: Contact JST for thumb screws.

### Assembly procedure

#### 1. Processing braided shielding wire

Pass the cable through ferrule B and remove the insulation at the end of the cable. Install ferrule A and fold back the braided shielding wire along the outside insulation. Then wind the copper foil tape around the shielding wire.

#### 2. Connecting the wires to the contacts

Connect the wires to the contacts by crimping and insert the contacts into the housing.

#### 3. Assembling the mold covers

Align mold cover B with mold cover A and press mold cover B until it engages the lances of mold cover A. Install ferrule B over the cable holding section of the cover assembly and crimp ferrule B. This completes the assembly.

Circuits		Parts name	Model No.	Material and Finish	Q'ty / box or bag
J series	JK series				
9	15	Mold cover A	<b>JK-MC15A-3</b>	Steel, copper-undercoated, nickel-plated	500
		Mold cover B	<b>JK-MC15B-3</b>		
		Ferrule A	<b>JK-FL15A-8.0C</b>	Copper, tin-plated	1000
		Ferrule B	<b>JK-FL15B-11.3</b>		500
15	-	Mold cover A	<b>J-MC15A</b>	Steel, copper-undercoated, nickel-plated	200
		Mold cover B	<b>J-MC15B</b>		
		Ferrule A	<b>J-FL15A-7.0C</b>	Copper, tin-plated	1000
		Ferrule B	<b>J-FL15B-10.5</b>		500
25	-	Mold cover A	<b>J-MC25A-4</b>	Steel, copper-undercoated, nickel-plated	250
		Mold cover B	<b>J-MC25B-4</b>		
		Ferrule A	<b>JK-FL15A-8.0C</b>	Copper, tin-plated	1000
		Ferrule B	<b>JK-FL15B-11.3</b>		500

## Applicator for the semi-automatic press AP-K2N

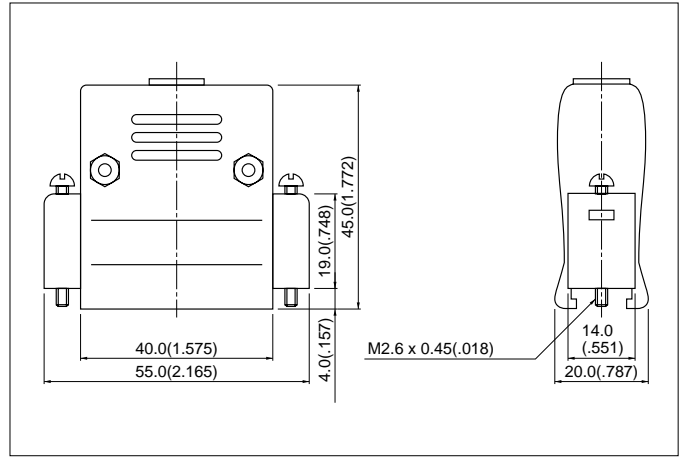
Contact	Crimp applicator MKS-RG	
	with safety cover	without safety cover
<b>JK-FL15B-11.3</b>	APLMK JK-MC15	APLNC JK-MC15
<b>J-FL15B-10.5</b>	APLMK J-MC15	APLNC J-MC15



# D SUBMINIATURE CONNECTOR J&JK SERIES

Covers

## EMI SHIELDING ALUMINUM DIE-CAST COVER (for 25-circuit J series connectors)



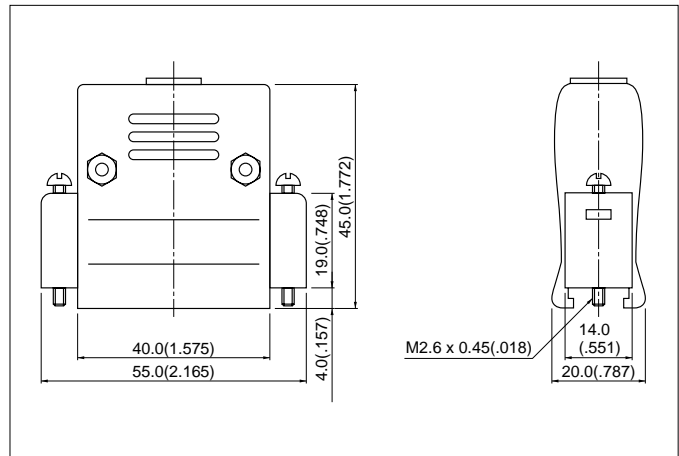
### Features

- This cover is made of aluminum die-cast .
- The D subminiature connector and all its wire connections can be completely covered to provide excellent shielding.
- This EMI shielding cover can be used together with the hexagonal and rectangular metric lock screws specified in JIS-C6361. This cover is ideally suited for RS-232C cable connectors.

Model No.	Parts in one set	Cover material	Q'ty / box
JCB-25EM	Cover A - 1 pc. Cover B - 1 pc. Lock screw - 2 pcs. Cable clamp - 2 pcs. Cover screws and nuts - 2 pcs. for each Clamp screws - 4 pcs.	Aluminum die-cast	10

- \* Contact JST if Lead-Free product is required.
- \* Refer to "General Instruction and Notice when using Terminals and Connectors" at the end of this catalog.
- \* Contact JST for details.

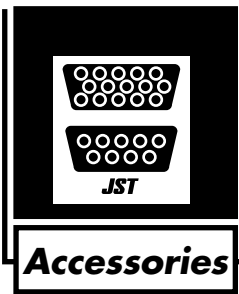
## JIS STYLE PLASTIC COVER (for 25-circuit J series connectors)



### Features

- Molded plastic cover.
- This cover can be used together with the hexagonal and rectangular metric lock screws specified in JIS-C-6361.
- \* Contact JST if Lead-Free product is required.
- \* Refer to "General Instruction and Notice when using Terminals and Connectors" at the end of this catalog.
- \* Contact JST for details.

Model No.	Parts in one set	Cover material	Q'ty / box
JCB-25M	Covers - 2 pcs. Lock screw - 2 pcs. Cable clamp - 2 pcs. Cover screws and nuts - 2 pcs. for each Clamp screws - 2 pcs.	ABS resin	10




# D SUBMINIATURE CONNECTOR J·JH·JK & KH SERIES

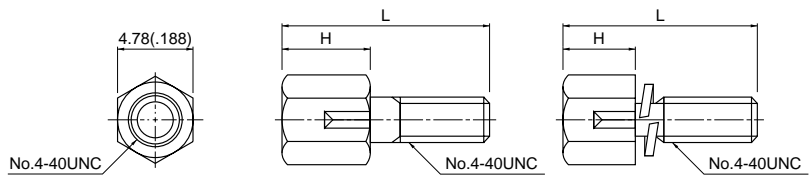
Lock screw block

A variety of accessories are available for the D subminiature connectors.

## LOCK SCREW BLOCK




**Hexagonal lock screw block  
(inch thread: No.4-40UNC)**

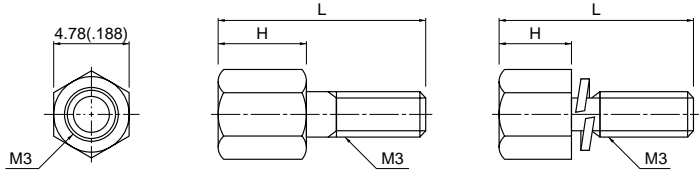


**Type A                      Type B**

Applicable series	J series right angle through-hole type JK series straight through-hole type	JK series right angle through-hole type	J series straight through-hole type	JH series right angle through-hole type KH series right angle through-hole type	Dimension H mm(in.)	Type	Attachment	Q'ty / box
Dimension L mm(in.)	13.1(.516)	15.0(.591)	10.0(.394)	11.8(.465)				
Model No.	<b>JFS-4S-C1N</b>	<b>KFS-4S-C1N</b>	—	—	5.5(.217)	A	Spring washer .. 1 pc. Nut ..... 1 pc.	2,000
	<b>JFS-4S-B1W</b>	<b>KFS-4S-B1W</b>	<b>SFS-4S-B1W</b>	<b>HFS-4S-B1W</b>	4.8(.189)		Spring washer .. 1 pc.	
	<b>JFS-4S-C1W</b>	<b>KFS-4S-C1W</b>	<b>SFS-4S-C1W</b>	<b>HFS-4S-C1W</b>	5.5(.217)	B	Hexagonal lock screw & spring washer are integrated	
	<b>JFS-4S-B1WM</b>	<b>KFS-4S-B1WM</b>	<b>SFS-4S-B1WM</b>	<b>HFS-4S-B1WM</b>	4.8(.189)			
	<b>JFS-4S-C1WM</b>	<b>KFS-4S-C1WM</b>	<b>SFS-4S-C1WM</b>	<b>HFS-4S-C1WM</b>	5.5(.217)			



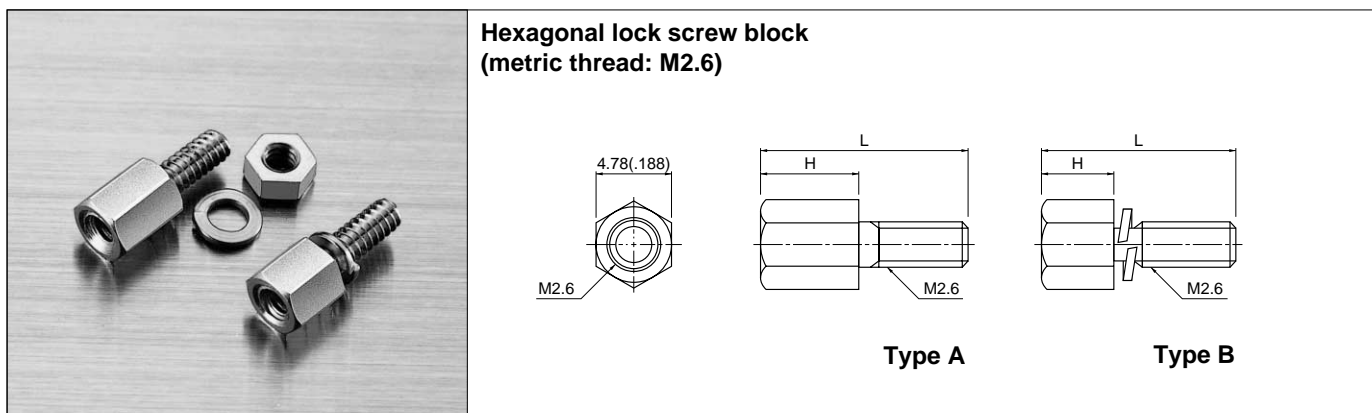
**Hexagonal lock screw block  
(metric thread: M3)**



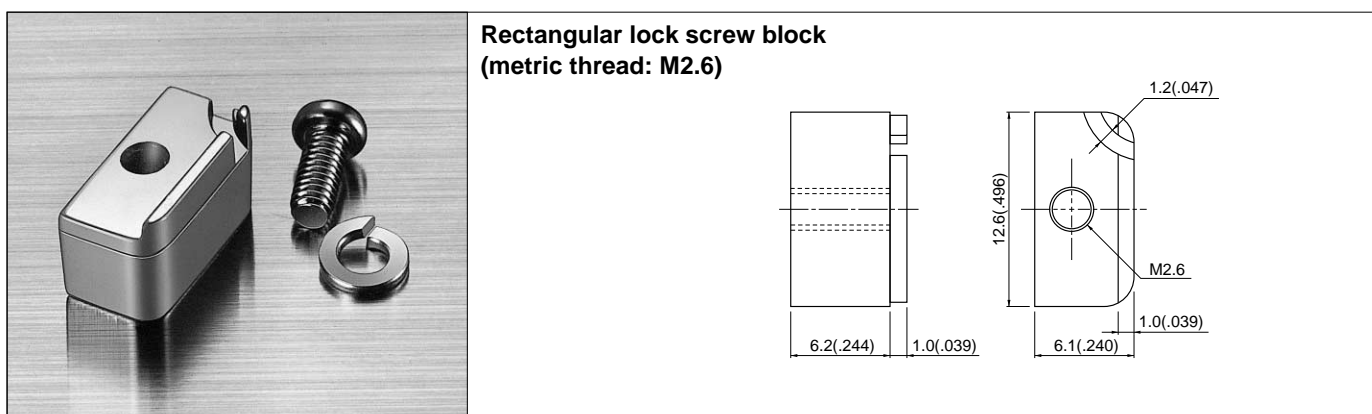
**Type A                      Type B**

Applicable series	J series right angle through-hole type JK series straight through-hole type	JK series right angle through-hole type	J series straight through-hole type	JH series right angle through-hole type KH series right angle through-hole type	Dimension H mm(in.)	Type	Attachment	Q'ty / box
Dimension L mm(in.)	13.1(.516)	15.0(.591)	10.0(.394)	11.8(.465)				
Model No.	<b>JFS-3S-C1N</b>	<b>KFS-3S-C1N</b>	—	—	5.5(.217)	A	Spring washer .. 1 pc. Nut ..... 1 pc.	2,000
	<b>JFS-3S-B1W</b>	<b>KFS-3S-B1W</b>	<b>SFS-3S-B1W</b>	<b>HFS-3S-B1W</b>	4.8(.189)		Spring washer .. 1 pc.	
	<b>JFS-3S-C1W</b>	<b>KFS-3S-C1W</b>	<b>SFS-3S-C1W</b>	<b>HFS-3S-C1W</b>	5.5(.217)	B	Hexagonal lock screw & spring washer are integrated	
	<b>JFS-3S-B1WM</b>	<b>KFS-3S-B1WM</b>	<b>SFS-3S-B1WM</b>	<b>HFS-3S-B1WM</b>	4.8(.189)			
	<b>JFS-3S-C1WM</b>	<b>KFS-3S-C1WM</b>	<b>SFS-3S-C1WM</b>	<b>HFS-3S-C1WM</b>	5.5(.217)			

# D SUBMINIATURE CONNECTOR J·JH·JK & KH SERIES



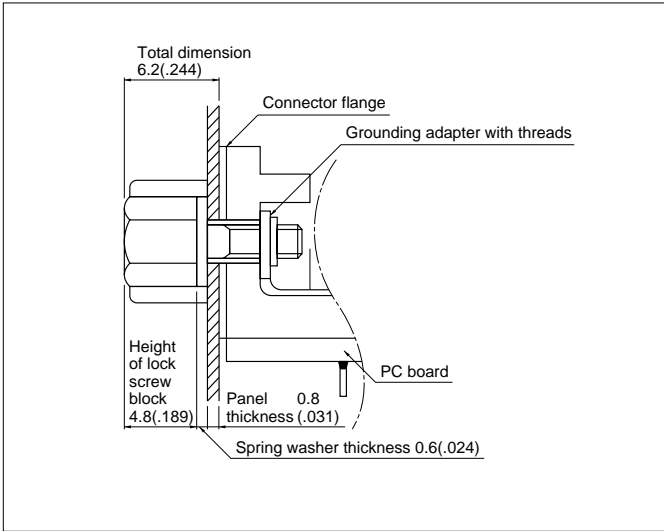
Applicable series	J series right angle through-hole type JK series straight through-hole type	JK series right angle through-hole type	J series straight through-hole type	JH series right angle through-hole type KH series right angle through-hole type	Dimension H mm(in.)	Type	Attachment	Q'ty / box
Dimension L mm(in.)	13.1(.516)	15.0(.591)	10.0(.394)	11.8(.465)				
Model No.	<b>JFS-2.6S-C1N</b>	<b>KFS-2.6S-C1N</b>	—	—	5.5(.217)	A	Spring washer .. 1 pc. Nut ..... 1 pc.	2,000
	<b>JFS-2.6S-B1W</b>	<b>KFS-2.6S-B1W</b>	<b>SFS-2.6S-B1W</b>	<b>HFS-2.6S-B1W</b>	4.8(.189)		Spring washer .. 1 pc.	
	<b>JFS-2.6S-C1W</b>	<b>KFS-2.6S-C1W</b>	<b>SFS-2.6S-C1W</b>	<b>HFS-2.6S-C1W</b>	5.5(.217)	B	Hexagonal lock screw & spring washer are integrated	
	<b>JFS-2.6S-B1WM</b>	<b>KFS-2.6S-B1WM</b>	<b>SFS-2.6S-B1WM</b>	<b>HFS-2.6S-B1WM</b>	4.8(.189)			
	<b>JFS-2.6S-C1WM</b>	<b>KFS-2.6S-C1WM</b>	<b>SFS-2.6S-C1WM</b>	<b>HFS-2.6S-C1WM</b>	5.5(.217)			



Model No.	Attachment	Q'ty / box
<b>JFS-2.6R-N</b>	Spring washer - 1 pc. Set screw - 1 pc.	1,000



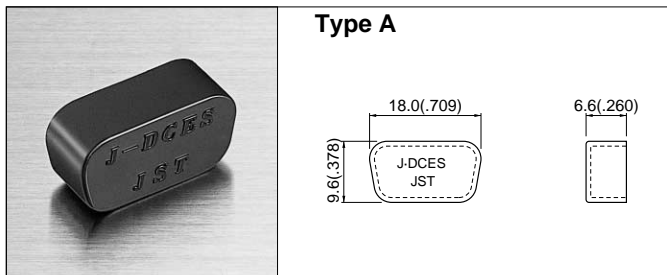
# D SUBMINIATURE CONNECTOR J·JH·JK & KH SERIES



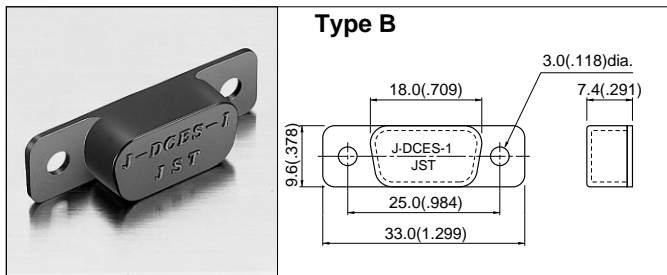
## Application examples of hexagonal lock screw blocks

- The resulting total dimension from the connector flange to the top of the hexagonal lock screw block must be 6.2mm(.244") after assembly.
- The D subminiature connector can be installed on the Panel by simply tightening the hexagonal lock screw block together with grounding adapter, which has an identical thread to that of the F, G, and H types.

## DUST COVER (for receptacles)



Type	Circuits		Model No.	Q'ty / box
	J series	JK series		
A	9	15	<b>J-DCES</b>	1,000
B			<b>J-DCES-1</b>	
Material				
Nylon, UL94V-0, black				



## EXTRACTION TOOL



With this tool, contacts (connected to wires by crimping) can be easily removed if they are improperly inserted into plug and receptacle housings.

Applicable Connector		Model No.
J series		<b>DEJ-0.3</b>
JK series	Plug	<b>KEJ-0.7</b>
	Receptacle	<b>KEJ-0.4</b>